



TEST 3

MATHEMATICS

Name: _____

Date of birth: _____

Primary School: _____

Today's date: _____

Read the following guidelines before you start:

1. Open this booklet only when you have been told to do so.
2. You can use the area around the question for your working out.
3. Aim to complete all the questions within the time limit.
4. If you make a mistake, cross it out and clearly write the new answer.
5. If you get stuck on a question, do not waste time and move on to the next one.
6. Do not speak to anyone once the test has started.
7. You are **NOT** allowed to use an electronic calculator.

Time: 35 minutes

For examiner's use only

Page	Score
3	_____ (max 6)
4	_____ (max 7)
5	_____ (max 5)
6	_____ (max 5)
7	_____ (max 6)
8	_____ (max 5)
9	_____ (max 3)
10	_____ (max 4)
11	_____ (max 3)

Total out of 44:

All rights reserved.

No part of this publication may be reproduced or transmitted in any form or by any means, electronic or mechanical, including photocopying or duplication in any information storage and retrieval system, without permission in writing from Essex Tuition Centre.

Any person who commits any unauthorised act in relation to this publication may be liable to criminal prosecution and civil claims for damages.

Copyright © Essex Tuition Centre, 2010

Published by Essex Tuition Centre, Suite 201, Trocoll House, Wakering Road, Barking, Essex, IG11 8PD

You have 35 minutes to complete this paper. Write your answer clearly in the space provided.

Please leave blank

1 Calculate: 478×5

Answer: _____

1

2 Calculate: $8789 - 989$

Answer: _____

1

3 Calculate: $3.6 + 2.83$

Answer: _____

1

4 Calculate: $501.1 \div 6$
(Give your answer to 1 decimal place)

Answer: _____ (1 d.p)

2

5 Write down the next two terms in the following sequence:

1, 4, 9, 16, 25, _____ , _____

1

Answer: _____ , _____

Total marks:

(Max 6)

Go to the next page now

3

Please leave blank

6

Write down the following number to two decimal places.

11.355

Answer: _____

1

7

Calculate: Work out the value of x if:

$$3x + 2 = 7x - 10$$

Answer: _____

2

8

The table below shows the age of some students attending St. Margarets primary school.

6 7 8 6 9 10 7 8 6 5 5

Find:

(a). The mean of the ages

Answer: _____

2

(b). The median age

Answer: _____

1

(c). The modal age

Answer: _____

1

Total marks:

(Max 7)

Please leave blank

9 This machine doubles and then subtracts 5.

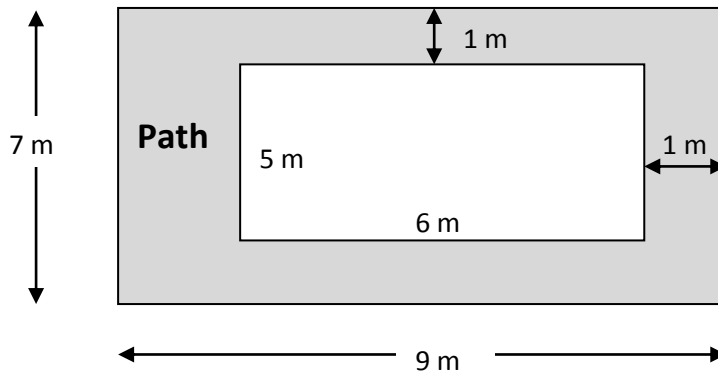
Which number has been entered?



Answer: _____

1

10 The following drawing shows David's garden. Calculate the area of the path.



Answer: _____ m²

2

11 What is the difference between the largest and the smallest numbers in the list below:

28.2 11.02 5.09 13.77 2.82

Answer: _____

2

Total marks:

(Max 5)

Go to the next page now

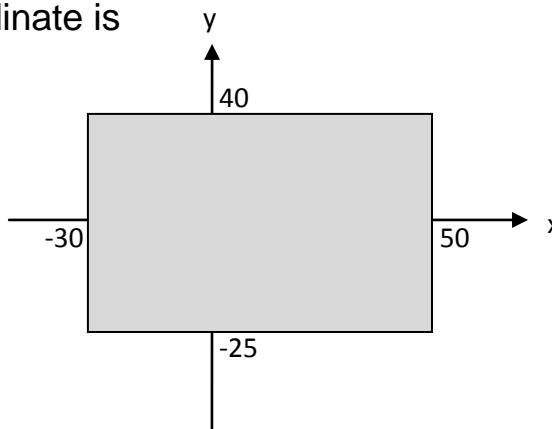
5

Please leave blank

12

Which of the following coordinate is outside the box?

- (20,35)
- (40,-20)
- (-25,20)
- (30,-30)
- (-25,-20)

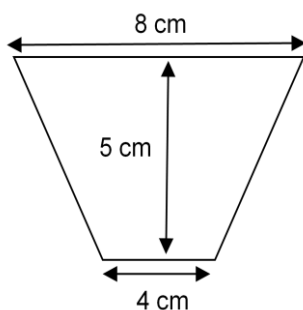


Answer: (,)

2

13

What is the area of this trapezium?



Answer: _____ cm²

2

14

Hashim Amla is a cricket player. Following are his batting scores for the last 5 matches.

110, 98, 54, 0, 28

Calculate the average runs he has scored per match in the last five matches.

Answer: _____

1

Total marks:

(Max 5)

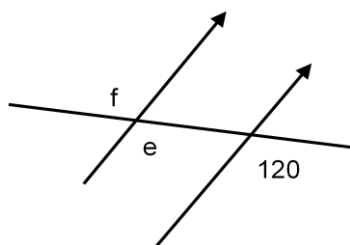
Please leave blank

- 15 Kevin has dropped paint on the carpet of his room. 25% of the room has been covered. The total area of his room is 160m^2 . How much area has been covered?

Answer: _____ m^2

2

- 16 Find the missing angles.



Answer: (e)

1

Answer: (f)

1

- 17 Mary will be X years old 5 years from now. How old was she 4 years ago? (Give your answers in terms of x)

Answer: _____

1

- 18 What is the range of the following numbers.

13.4, 5.05, 4.09, 5.07, 17.8

Answer: _____

1

Total marks:

(Max 6)

19

The table shows the numbers of red and green shapes in a box.

What is the probability that a shape taken out of the box will be Green?

	Red	Green
Circles	15	17
Trapeziums	9	11

Answer: _____

2**20**

A lottery jackpot of £50,000 is equally shared between 20 people.

Michael has 4 winning tickets. How much does Michael win?

Answer: _____

2**21**

On 1st October 2010 the sunrise was at 07:00 and sunset at 18:41 in London. How long was there light in London on that day?

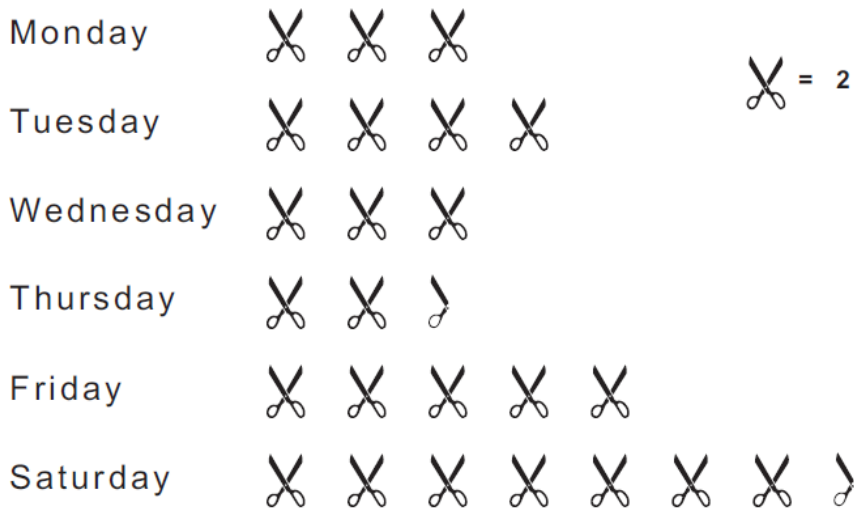
Answer: _____ hrs _____ mins

1**Total marks:****(Max 5)**

22

A hair salon used a pictogram to show how busy they had been during the opening week.

Haircuts



(a). How many hair cuts were carried out between Monday and Thursday?

Answer: _____

1

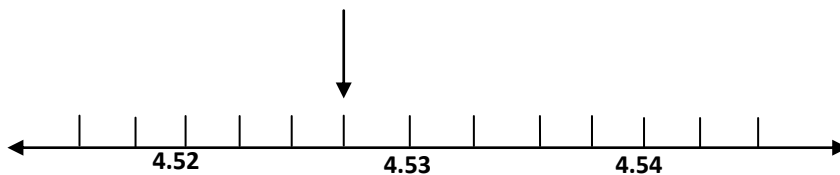
(b) How many more haircuts were carried out on Saturday than Tuesday?

Answer: _____

1

23

On the number line below what number does the arrow point to?



Answer: _____

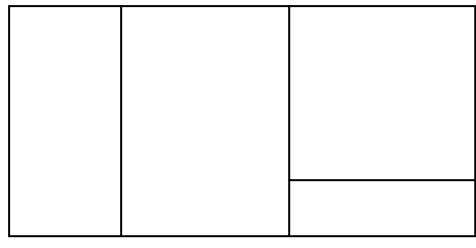
1

Total marks:

(Max 3)

Please leave blank

24 How many rectangles of any size are there in this diagram?

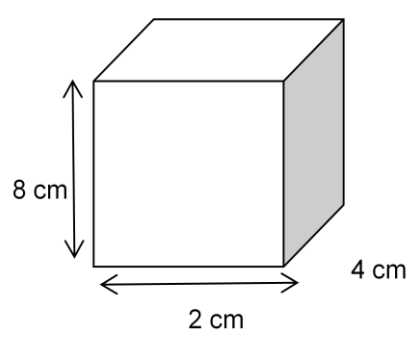


Answer: _____

25 An isosceles triangle has angles x, y and z. Angle x is 80°. Angle x is larger than angle Y. What is the size of angle Z?

Answer: x = _____ °

26 How many 1cm³ cubes can you fit into the following cuboid?



Answer: _____ cm³

Total marks:
(Max 4)

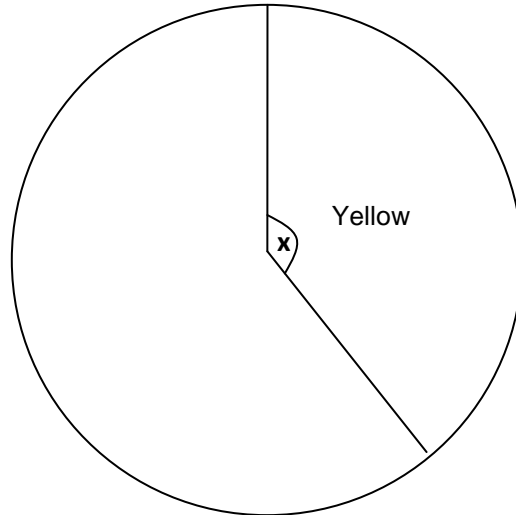
1

1

2

27

Harry has surveyed all the students in his class of their favourite colour. 40% of the students like yellow.
How large should he make the angle for the yellow colour?



Answer: _____°

28

Tom is hosting a party. He has prepared 80 centilitre of orange squash. Each glass hold 150ml when full. How many glasses can he completely fill?

Answer: _____

Please leave blank

1

2

Total marks:

(Max 3)

Essex Tuition Centre

...home of tutoring

IF YOU HAVE ANY TIME REMAINING, CHECK YOUR ANSWERS AGAIN

All rights reserved. Copyright © Essex Tuition Centre, 2010

Please forward all queries to Essex Tuition Centre
Suite 201, Trocoll House, Wakering Road, Barking, Essex, IG11 8PD
www.essextuitioncentre.com
info@essextuitioncentre.com